

# More Than A Retrofit-Spool It's A Solution!

The fast, versatile approach for efficiently replacing a backflow preventer



## Working with FEBCO

Configure a backflow preventer replacement tailored specifically to your job requirements.

- Unique outside-the-shutoff valve design offers a wide choice of configuration options
- Configuration not limited by inside-the-shutoff valve and approvals
- Custom spool produced with optional connections, flush ports, branches, or tees
  - Spool constructed using stainless steel pipe
  - Order easily — configure a backflow retrofit solution in a few simple steps
  - Built to order — ships fully assembled or as parts
  - Most orders ship within 48 hours

# Custom backflow/spool combo program

Job Name: \_\_\_\_\_  
 Customer: \_\_\_\_\_  
 Contact: \_\_\_\_\_  
 Phone: \_\_\_\_\_ Fax: \_\_\_\_\_  
 Rep: \_\_\_\_\_

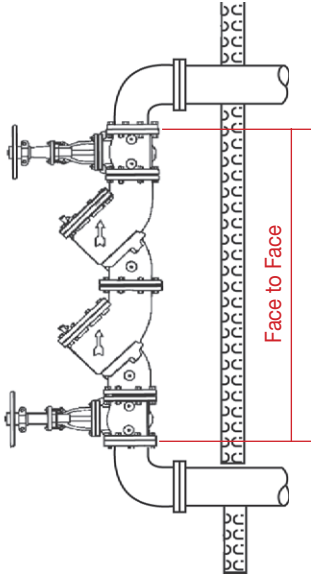
Customers: send order to your local rep  
 Rep Agency: Email Order Form and PO to  
[Backflowspoolcombo@wattswater.com](mailto:Backflowspoolcombo@wattswater.com)  
 Subject Line:  
 Custom backflow/spool combo program

**> CONFIGURATOR <**

**Required - Provide Field Measurement: Face to Face**

Measurement= \_\_\_\_\_

Manufacturer/model being replaced= \_\_\_\_\_



Flow direction .....>

Required	Optional	Required	Required	Required	Default Spool Location
<b>Size</b> <input type="checkbox"/> 2-1/2" <input type="checkbox"/> 3" <input type="checkbox"/> 4" <input type="checkbox"/> 6" <input type="checkbox"/> 8" <input type="checkbox"/> 10"	<b>Inlet Spool</b> <input type="checkbox"/> Yes <input type="checkbox"/> No	<b>#1 Shut Off</b> <input type="checkbox"/> NRS <input type="checkbox"/> OSY <input type="checkbox"/> PIV <input type="checkbox"/> NRS (domestic)	<b>Backflow Preventer</b> <input type="checkbox"/> LF850 <input type="checkbox"/> LF860 <input type="checkbox"/> LF856 <input type="checkbox"/> LF866	<b>#2 Shut Off</b> <input type="checkbox"/> NRS <input type="checkbox"/> OSY <input type="checkbox"/> PIV <input type="checkbox"/> NRS (domestic)	<b>Outlet Spool*</b> <input type="checkbox"/> Yes <input type="checkbox"/> No

**Need By Date:** \_\_\_\_\_

Ships in 24-48 hours

All assemblies are built to customer specifications and are considered custom valve assemblies. Orders once submitted will be considered non-cancellable and non-returnable. Below signature verifies field dimensions and all other options specified in this document. If you have any questions prior to the order placement please do not hesitate to contact your local representative or customer service department.

**If two spools requested, give length of both:**

<input type="checkbox"/> Inlet Spool Length	<input type="checkbox"/> Outlet Spool Length
<input type="checkbox"/> Both Spools Same Length	

**Detector Meter Type**

GPM  
 CFM  
 Less Meter

Signature Verifying Field Measurement: \_\_\_\_\_

Date \_\_\_\_\_

**Required - Entered by Rep**

SO# \_\_\_\_\_



A **WATTS Brand**

USA: T: (800) 767-1234 • F: (800) 788-4491 • [FEBCOonline.com](http://FEBCOonline.com)  
 Canada: T: (905) 332-4090 • F: (905) 332-7068 • [FEBCOonline.ca](http://FEBCOonline.ca)  
 Latin America: (52) 55-4122-0138 • [FEBCOonline.com](http://FEBCOonline.com)  
 © 2019 Watts