

Installation, Operation and Maintenance Manual

OneFlow[®] Anti-Scale System

Models **OFTWH-C**
OFTWH-R
OFTWH

OneFlow[®] Anti-Scale Systems
Chemical-Free, Salt-Free
Scale Prevention

⚠ WARNING



Read this Manual **BEFORE** using this equipment.
Failure to read and follow all safety and use information can result in death, serious personal injury, property damage, or damage to the equipment.
Keep this Manual for future reference.

Introduction

The OneFlow[®] Anti-Scale System provides protection from scale formation on internal plumbing surfaces. OneFlow is the one water treatment device that effectively provides scale protection and is a great salt-free alternative to water softening (ion exchange) or scale sequestering chemicals.

OneFlow systems are built with the finest and most advanced materials. With proper installation and routine maintenance, you will have years of trouble-free operation.

Please refer to this manual when performing routine filter changes. The instructions make periodic maintenance quick and easy and ensure you will receive maximum benefit from your system.

System Specifications

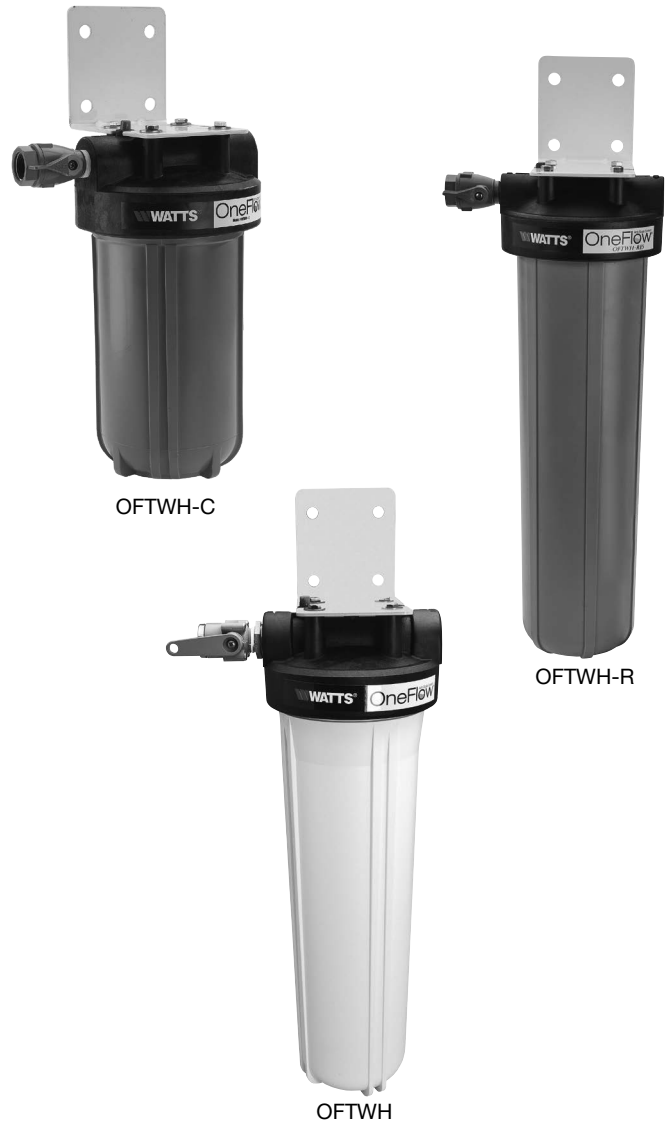
Inlet/Outlet Connections: 3/4" FNPT

Flow Rates up to 10 gpm (38 lpm)

Gallon Rating: OFTWH, OFTWH-C, OFTWH-R: There is not a gallon capacity for OneFlow. These systems are designed to operate 24/7/365 for 2 years. Contaminants present in the water will gradually degrade the effectiveness of these cartridges. Change these cartridges at least once every two years.

⚠ WARNING

You are required to consult the local building and plumbing codes prior to installation. If the information in this manual is not consistent with local building or plumbing codes, the local codes should be followed. Inquire with governing authorities for additional local requirements.



OneFlow media is certified by WQA to NSF/ANSI/CAN Standard 61 and NSF/ANSI 372 for Lead Free compliance.

⚠ WARNING

Do not use with water that is microbiologically unsafe or of unknown quality without adequate disinfection before or after the system.

WATTS[®]

Feed Water Chemistry Requirements

pH	6.5-8.5
Hardness (maximum)	30 grains (513 ppm CaCO ₃) *
Water Pressure	15 psi to 90 psi (1.03 bar to 6.2 bar)
Temperature	40°F to 100°F (5°C to 38°C)
Free Chlorine	<2 ppm
Iron (maximum)	0.3 ppm **
Manganese (maximum)	0.05 ppm **
Copper (maximum)	1.3 ppm***
Oil & H ₂ S	Must be Removed Prior to OneFlow
Total Phosphates	<3.0 ppm
Silica (maximum)	20 ppm †
TDS	<1500 mg/L ††

NOTICE

* Systems using OneFlow cartridge technology are effective at controlling lime-scale formation inside the plumbing system at influent hardness levels up to 30 grains per gallon (513 ppm) as calcium carbonate. Due to variances in water chemistry, 30 grains per gallon is a recommended hardness maximum due to potential aesthetic issues related to soft scale residue formation outside of the plumbing system. Testing should be performed to determine proper application where hardness levels exceed 30 grains per gallon.

**Just as with conventional water softening media, OneFlow media needs to be protected from excess levels of certain metals that can easily coat the active surface, reducing its effectiveness over time. Public water supplies rarely, if ever, present a problem, but if the water supply is from a private well, confirm that the levels of iron (Fe) and manganese (Mn) are less than 0.3 mg/L and 0.05 mg/L, respectively.

WARNING

***Pursuant to the EPA drinking water standards, the copper concentration permitted is up to 1.3 ppm. Typically originating from new copper plumbing, high levels of copper can foul OneFlow media. New Copper lines need to be passivated for a minimum of 4 weeks before placing unit into service. For applications with copper concentration greater than 1.3 ppm, please consult Watts® Water Quality Technical Service. To further minimize any problem with excess copper, avoid applying excessive flux on the inner surfaces of the pipe and use a low-corrosivity water soluble flux listed under the ASTM B813 standard.

NOTICE

† OneFlow media does not reduce silica scaling. While silica tends to have a less significant effect on scale formation than other minerals, it can act as a binder that makes water spots and scale residue outside the plumbing system difficult to remove. This 20 ppm limitation is for aesthetic purposes.

†† All other contaminants must meet the requirements of the USEPA Safe Drinking Water Act. Specific Mineral and Metal MCL's, identified in Watts published Feed Water Chemistry Requirements, supersedes the USEPA SDWA.

Water known to have heavy loads of dirt and debris may require pre-filtration prior to OneFlow.

Not for use on closed loop systems.

OneFlow systems are complete, self-contained, loaded with media, and ready to use. A simple inlet and outlet connection is all that is required for installation. Please review operating pressures, temperatures and water chemistry limitations to ensure compatibility.

WARNING

- Connect system to cold water supply only. Water temperature cannot exceed 100°F/38°C.
- System **must be** installed in a vertical, upright and level position.
- Do not apply any other antiscalants before or after OneFlow

WARNING

Installation Precautions

- Do **NOT** install system on line pressure above 90psi.
- Do **NOT** install system on HOT water line. Failure to limit line temperature to 100°F/38°C may result in housing failure and damage.
- Do **NOT** install the system backwards with the feed water line connected to the outlet.
- Do **NOT** use liquid pipe compounds for fitting connections. USE two to three wraps of Teflon® tape.
- Do **NOT** solder plumbing connections attached to filter housing or inlet valve. Inlet valve and filter housing will be damaged by high temperature.
- Do **NOT** allow system to freeze. Turn off water supply to housing and drain housing if temperature falls below 32°F.
- Do **NOT** install system in direct sunlight or where system is exposed to harsh chemicals or may be subjected to being struck by moving equipment, carts, mops or any other item that may cause damage.
- **ALLOW** a minimum of 3" under the housing to allow for filter replacement.
- IF water hammer is evident, install water hammer arrestors before the OneFlow unit.
- Do **NOT** overtighten fitting connections into inlet valve or housing outlet.
- Always back-up valves and fittings with a wrench when installing a fitting to avoid turning the valve.
- Do **NOT** install the unit behind equipment where it may be difficult to access the system for filter replacement.

Position the OneFlow unit in a suitable location. The direction of flow through the OneFlow unit is always left to right; keep this in mind when determining installation location. Do NOT mount the OneFlow system near any source of heat. Also, do not mount the system above any device or area that would be adversely affected by water.

⚠ WARNING

Using OneFlow with Other Water Treatment Equipment

Due to the unique properties of OneFlow, there are some unique requirements for using OneFlow in conjunction with filtration or other forms of water treatment.

1. OneFlow must be the last stage in the treatment chain. Do not install any filters after OneFlow or before any devices for which scale prevention is required. POU filters, e.g. carbon, RO or Ultraviolet (UV) are exempt from this requirement.
2. Do not apply any other antiscalants before or after OneFlow.
3. The addition of soaps, chemicals, or cleaners, before or after OneFlow treatment, may reverse its anti-scale treatment effects and/or create water with a heavy residue or spotting potential. Any adverse conditions caused by the addition of soaps, chemicals, or cleaners are the sole responsibility of the end user.
4. OneFlow is not a water softener and does not soften the water - Water treatment chemistry (e.g. antiscalants, sequestrants, soaps, chemicals or cleaners etc...) will most likely have to be changed to be compatible with OneFlow treated water. Laundry and ware-washing chemistry will likewise require adjustments.

NOTICE

Spotting May Occur on External Plumbing Surfaces

OneFlow media systems perform best in single pass potable water applications with NO additional chemical additives. Depending on hardness, soft scale spotting may occur. Soft scale spots in most cases can be easily wiped down with a damp cloth and will not form hard scale deposits. A Point of Use (POU) Water Softener should be used on mandatory spot-free applications (e.g. glass stemware, dishware).

Installation

1. Turn off all equipment to be fed by the OneFlow system, locate water supply shut off valve and turn OFF.
2. Determine if the water line has an existing water treatment system. If so, examine system for use of polyphosphate or other scale inhibitors. OneFlow will not be effective if used in conjunction with other scale inhibitors. Remove the scale inhibitors from the water line or discontinue installation.
3. Install a user supplied ball valve on the water supply side that will feed the water system.
4. Anchor the OneFlow system on a suitable mounting surface that can support the weight of the system while in operation. System must be vertical and upright.
5. Run a suitable line from the user supplied ball valve at the tap water source to the inlet ball valve on the OneFlow system. Use 2-3 wraps of Teflon® tape on the feed water connection and brace the inlet ball valve on the system with a wrench when connecting the feed water line.

NOTICE

DO NOT OVERTIGHTEN CONNECTION FITTING INTO BALL VALVE.

6. Select the appropriate size tubing for the equipment being fed and connect it to the outlet of the OneFlow system.

NOTICE

DO NOT connect the tubing to the equipment at this time. Prior to making connection to the equipment, this line will be used to facilitate flushing the system. As an option, a drain valve in a tee on the outlet side of the OneFlow system could be installed in the line to facilitate flushing when changing filters.

7. With OneFlow inlet valve closed, slowly open the ball valve at the tap water source. Check for leaks.
8. If a drain valve was not installed on the outlet side of the system, hold the tubing that will connect to equipment in a clean bucket or over sink or drain. Open the system inlet feed valve and allow water to flush through system for 2 minutes at the system's rated flow rate to allow air bubbles to escape.

NOTICE

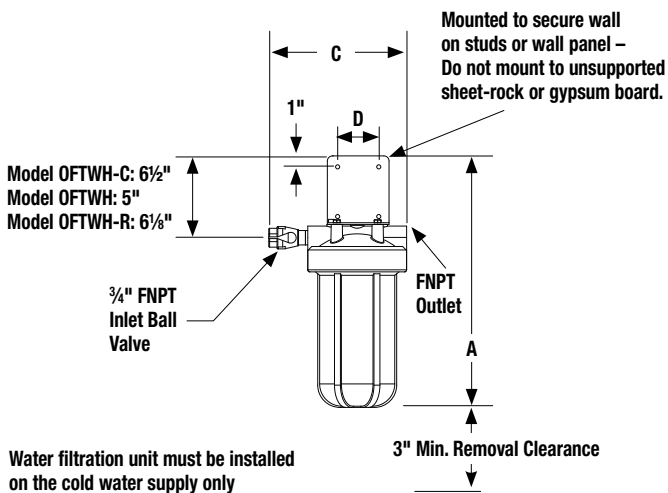
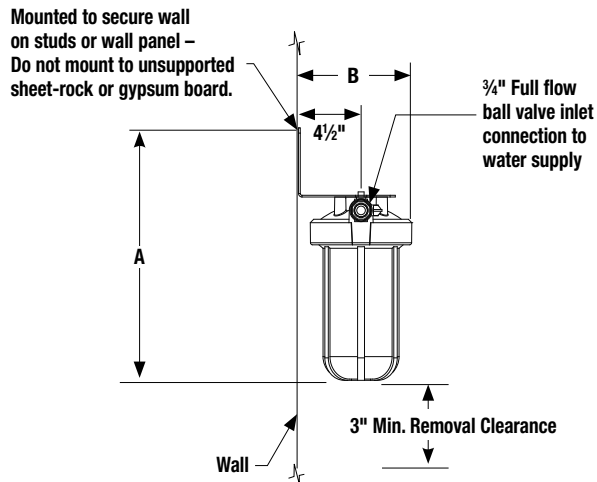
NO ACTIVATION IS REQUIRED FOR THE OneFlow system TO PERFORM PROPERLY. FLUSHING IS RECOMMENDED TO ALLOW AIR TO ESCAPE THE SYSTEM.

9. Make certain that the end of the tubing to be connected to the equipment is clean and sanitary.
10. Connect tubing to equipment. Open all water supply valves and check for leaks.
11. If no leaks, turn on equipment and check for normal operation.
12. Attach the Service Log to the installed OneFlow system and fill in install date.

The system is now ready for operation.

Teflon® is a registered trademark of The Chemours Company.

Installation Drawings & Dimensions



Dimensions

Model	Dimensions							
	A		B		C		D	
	in.	mm	in.	mm	in.	mm	in.	mm
OFTWH-C	18 1/2	470	8 5/8	219	10	254	3	76
OFTWH-R	28 1/2	724	8 1/16	206	9 3/4	248	3	76
OFTWH	27	686	8	203	9 3/4	248	3	76

Peak Flow Rates – Weights

Model	OFTWH-C	OFTWH-R	OFTWH
*Maximum Flow	5 gpm 18.9 lpm	6 gpm 22.7 lpm	10 gpm 38 lpm
Dry Weight	12 lbs. 5.5 kgs.	15 lbs. 6.8 kgs.	19 lbs. 8.6 kgs.
Service Weight	19 lbs. 8.6 kgs.	29 lbs. 13.2 kgs.	33 lbs. 15 kgs.

*Exceeding maximum flow can reduce effectiveness and void warranty.

The overall height and the height of the inlet fitting varies due to material variations and assembly tolerances. Please allow additional clearance above the filter for making connections.

Operation

With sufficient pressure, operation of the Watts OneFlow System is completely automatic. Dependable operation involves only periodic filter changes and maintaining service documentation.

Maintenance

Routine maintenance of your OneFlow System involves periodic filter cartridge changes and/or replacement of sump O-rings. If the system sizing recommendations have been followed, the OneFlow Cartridge should last two years.

Filter Change Frequency

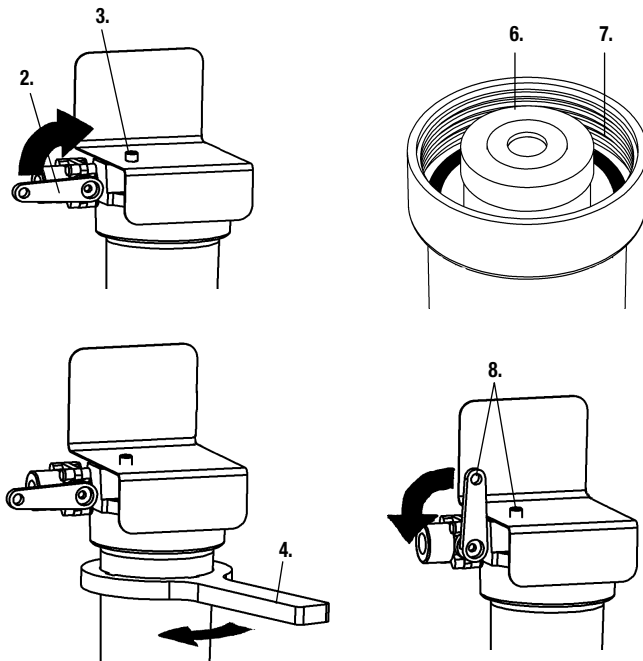
The filters should be changed in response to the following conditions.

Replacement Media

- OFTWH-C-RM** Media should be replaced every 2 years
- OFTWH-R-RM** Media should be replaced every 2 years
- OFTWHRM** Media should be replaced every 2 years

Replacement Filter Cartridges

OneFlow systems can only be used with OneFlow filter cartridges. Use of replacement cartridges other than those specified will void warranties, certifications and may compromise equipment protection, water quality and equipment life.



Filter Cartridge Replacement Procedure

IMPORTANT

Determine whether all equipment connected to the OneFlow system must be turned off prior to shutting off water supply.

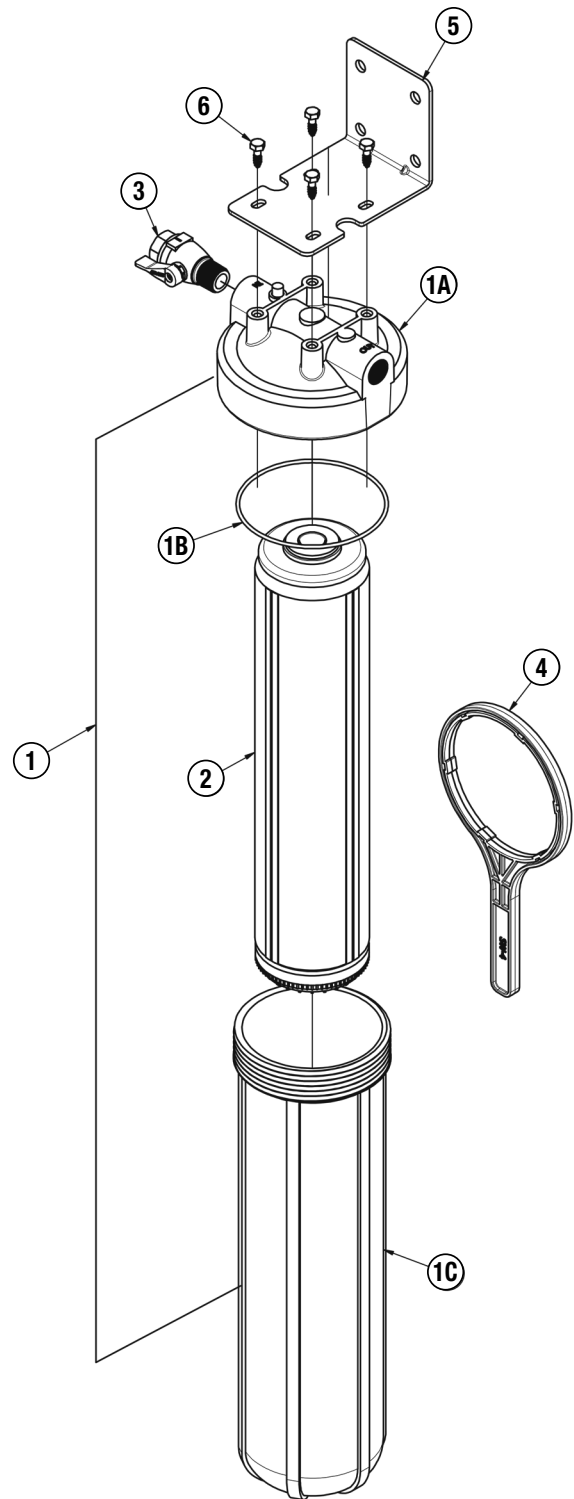
1. If required, turn off equipment.
2. Turn OFF water to OneFlow system by closing inlet ball valve.
3. Press the red pressure relief button on top of system until water stops flowing from button.
4. Remove housing bowl - use filter wrench if necessary.
5. Clean inside of housing bowl with warm water. If desired, disinfect housing bowl using a teaspoon of household bleach. Add to housing bowl and add water. Let stand 5 minutes and discard.
6. Insert new cartridge into filter housing bowl. Match cartridge model number to model number on bracket.
7. Make certain the O-ring is properly positioned and reinstall filter housing (hand tighten only). Check O-ring for damage and replace if damaged or distorted.
8. Slightly open the inlet ball valve and push the red pressure relief button to release trapped air in the system. Stop pressing the pressure relief button when a small amount of water comes out. Fully open the inlet ball valve.
9. Open the flush valve downline from the filter housing (if equipped) and flush the new cartridge to drain or bucket for two (2) minutes or until water runs clear. If no flush valve is present, disconnect line from equipment to flush to drain.

NOTICE

10. With water supply inlet valve OPEN and water flow confirmed, turn on connected equipment. Failure to supply water to equipment may cause serious damage.
11. Record filter change on the service log.

Replacement Parts for All Models

ITEM	QTY.	DESCRIPTION
1	1	Housing with Pressure Relief and O-ring
1A	1	Housing Lid
1B	1	O-Ring
1C	1	Housing Bowl
2	1	Replacement OneFlow Filter Cartridge
3	1	Inlet Ball Valve
4	1	Filter Housing Wrench
5	1	Mounting Bracket
6	4	Lag Screw



Limited Warranty

- The OneFlow tank system is warranted to be free of defects in materials and workmanship for 5 years from the date of original shipment.
- The OneFlow media is warranted for performance for a period of 2 years from the date of the original installation when installed and operated in accordance with the instructions in the corresponding Installation and Operation Manual.

Watts Regulator Company warrants its OneFlow cartridge systems as follows:

- The OneFlow cartridge system is warranted to be free of defects in materials and workmanship for 1 year from the date of original shipment.
- OneFlow cartridges are warranted for performance for a period of one year from the date of original installation when installed and operated in accordance with the instructions in the corresponding Installation and Operation Manual.
- Carbon replacement filter cartridges are not warranted to perform for any period of time because the service life of replacement carbon filter cartridges varies significantly with local water conditions and volume.

Conditions

1. The OneFlow system must be installed in applications with municipally supplied water adhering to EPA guidelines.
2. Any component failure must not result from abuse, fire, freezing or other acts of nature, violence, or improper installation.
3. Equipment must be installed and operated in compliance with the local plumbing codes and on an approved water supply.
4. Equipment is limited to use at water pressures and temperatures that do not exceed our published specifications.
5. Water supply must not exceed 2.0 PPM chlorine. For water supply exceeding 2.0 PPM chlorine, pretreatment is required. (Please contact your water treatment specialist.)
6. Information, including model number, serial number, and date of installation, must be provided for any claims pertaining to equipment in warranty.
7. Defective parts are subject to inspection by either Watts Regulator Company or any authorized representative before final commitment of warranty adjustment is made.
8. Watts Regulator Company reserves the right to make changes or substitutions in parts or equipment with material of equal quality or value and of then current production.

Limitations

Our obligation under this warranty with respect to the tank or valve is limited to furnishing a replacement for, or at our option, repairing any part or parts to our satisfaction that prove defective within the warranty period stated above. Such replacement parts will be delivered to the owner F.O.B. nearest factory, at no cost, excluding freight and local labor charges, if any.

Our obligation under this warranty with respect to the OneFlow media will be limited to furnishing a replacement for the media within two years from date of original installation. Such replacement media will be delivered to the owner F.O.B. nearest factory, at no cost, excluding freight and local labor charges, if any. Damage to the media due to chlorine, other oxidizers or fouling caused by local water conditions or any other operation outside of the limits shown under Specifications, is not covered by this warranty.

THE WARRANTY SET FORTH HEREIN IS GIVEN EXPRESSLY AND IS THE ONLY WARRANTY GIVEN BY WATTS REGULATOR COMPANY WITH RESPECT TO THE PRODUCT. WATTS REGULATOR COMPANY MAKES NO OTHER WARRANTIES, EXPRESS OR IMPLIED. WATTS REGULATOR COMPANY HEREBY SPECIFICALLY DISCLAIMS ALL OTHER WARRANTIES, EXPRESS OR IMPLIED, INCLUDING BUT NOT LIMITED TO THE IMPLIED WARRANTIES OF MERCHANTABILITY AND FITNESS FOR A PARTICULAR PURPOSE.

The remedy described under this warranty shall constitute the sole and exclusive remedy for breach of warranty, and Watts Regulator Company shall not be responsible for any incidental, special or consequential damages, including without limitation, freight, handling, lost profits or the cost of repairing or replacing other property which is damaged if this product does not work properly, other costs resulting from labor charges, delays, vandalism, negligence, fouling caused by foreign material, damage from adverse water conditions, chemical, or any other circumstances over which Watts Regulator Company has no control. This warranty shall be invalidated by any abuse, misuse, misapplication or improper installation of the product.

Some states do not allow limitations on how long an implied warranty lasts, and some states do not allow the exclusion or limitation of incidental or consequential damages. Therefore the above limitations may not apply to you. This warranty gives you specific legal rights, and you may have other rights that vary from state to state. You should consult applicable state laws to determine your rights. SO FAR AS IS CONSISTENT WITH APPLICABLE STATE LAW, ANY IMPLIED WARRANTIES THAT MAY NOT BE DISCLAIMED, INCLUDING THE IMPLIED WARRANTIES OF MERCHANTABILITY AND FITNESS FOR A PARTICULAR PURPOSE, ARE LIMITED IN DURATION TO THE APPLICABLE WARRANTY PERIODS STATED ABOVE.



USA: T: (978) 689-6066 • F: (978) 975-8350 • Watts.com
Canada: T: (888) 208-8927 • F: (905) 481-2316 • Watts.ca
Latin America: T: (52) 55-4122-0138 • Watts.com

Manuel d'installation, d'opération et d'entretien

OneFlow[®] Anti-Scale System

Modèles OFTWH-C
OFTWH-R
OFTWH1

Systèmes anti-tartre OneFlow[®]
Prévention du tartre, exempt de
produits chimiques et sans sel

⚠ AVERTISSEMENT



Lire ce manuel AVANT d'utiliser cet équipement.

Le non-respect de toutes les instructions de sécurité et d'utilisation de ce produit peut endommager ce produit ou entraîner d'autres dommages matériels, des blessures graves ou la mort.

Conserver ce manuel pour référence ultérieure.

Introduction

Le système anti-tartre OneFlow[®] protège contre la formation de tartre sur les surfaces de plomberie interne. OneFlow est le dispositif de traitement de l'eau qui fournit efficacement une protection contre le tartre tout en étant une excellente solution de recharge sans sel à l'adoucissement d'eau (échange d'ions) ou aux produits chimiques séquestrants.

Les systèmes OneFlow sont fabriqués avec les matériaux les meilleurs et les plus avancés. Avec une bonne installation et un entretien régulier, vous profiterez d'un fonctionnement sans souci pendant des années.

Veillez vous reporter à ce manuel lorsque vous effectuez les changements de filtre réguliers. Les directives facilitent et accélèrent l'entretien périodique afin que vous puissiez tirer le maximum de votre système.

Spécifications du système

Raccords d'entrée/de sortie : 3/4 po (19 mm) FNPT

Débits : jusqu'à 10 g/m (38 l/m)

Taux par gallon : OFTWH, OFTWH-C, OFTWH-R : Il n'y a pas de capacité d'un gallon pour OneFlow. Ces systèmes sont conçus pour fonctionner 24 heures sur 24, 7 jours sur 7, 365 jours par année pendant 2 ans. Les contaminants présents dans l'eau dégraderont graduellement l'efficacité de ces cartouches. Remplacez ces cartouches au moins une fois tous les deux ans.

⚠ AVERTISSEMENT

Vous êtes tenu de consulter les codes du bâtiment et de plomberie locaux avant l'installation. Si l'information n'est pas compatible avec les codes du bâtiment ou de plomberie locaux, les codes locaux doivent être suivis. Renseignez-vous auprès des autorités de réglementation pour les exigences locales supplémentaires.



C US

Les médias OneFlow sont certifiés par la WQA selon la norme NSF/ANSI/CAN 61 et la norme NSF/ANSI 372 pour l'absence de plomb.

⚠ AVERTISSEMENT

Ne pas utiliser le produit avec de l'eau impropre sur le plan microbiologique ou dont la qualité est inconnue sans procéder à une désinfection adéquate en amont ou en aval du système.

WATTS[®]

Exigences relatives à l'état chimique de l'eau d'alimentation

pH	6,5 à 8,5
Dureté (maximum)	30 grains (513 ppm CaCO ₃) *
Pression de l'eau	15 psi à 90 psi (1,03 bar à 6,2 bars)
Température	40 °F à 100 °F (5 °C à 38 °C)
Sans chlore	< 2 ppm
Fer (maximum)	0,3 ppm **
Manganèse (maximum)	0,05 ppm **
Cuivre (maximum)	1,3 ppm ***
Huile et H ₂ S	Doivent être retirés avant OneFlow
Total des phosphates	< 3,0 ppm
Silice (maximum)	20 ppm †
MDT	<1 500 mg/l ††

AVIS

* Les systèmes utilisant la technologie de cartouche OneFlow sont efficaces pour contrôler la formation de tartre à l'intérieur du système de plomberie à des taux initiaux de dureté pouvant atteindre 30 grains par gallon (513 ppm) de carbonate de calcium. En raison des variations de la chimie de l'eau, 30 grains par gallon sont un maximum de dureté recommandée en raison de problèmes esthétiques potentiels liés à la formation de résidus à faible échelle à l'extérieur du système de plomberie. Des essais doivent être effectués afin de déterminer l'application appropriée lorsque les niveaux de dureté dépassent 30 grains par gallon.

**Tout comme avec les médias d'adoucissement de l'eau conventionnels, OneFlow® doit être protégé contre des niveaux excessifs de certains métaux qui peuvent facilement recouvrir la surface active, ce qui réduit son efficacité au fil du temps. L'eau fournie par les services publics pose rarement, voire jamais, de problème, mais si l'approvisionnement en eau provient d'un puits privé, confirmez que les niveaux de fer (Fe) et de manganèse (Mn) sont inférieurs à 0,3 mg/l et 0,05 mg/l, respectivement.

AVERTISSEMENT

***Conformément aux normes de l'EPA relatives à l'eau potable, la concentration de cuivre autorisée ne doit pas dépasser 1,3 ppm. Des niveaux élevés de cuivre encrasseront le médium OneFlow, provenant généralement de la plomberie en cuivre. Les conduites de cuivre doivent être passivées pendant au moins 4 semaines avant de faire fonctionner l'appareil. Pour des applications dont la concentration de cuivre dépasse 1,3 ppm, veuillez communiquer avec l'équipe d'assistance technique Watts Water. Pour réduire davantage tout problème d'excès de cuivre, évitez d'appliquer trop de flux sur les surfaces intérieures des tuyaux et utilisez un flux soluble à l'eau peu corrosif conforme à la norme ASTM B813.

AVIS

† Le média OneFlow® ne réduit pas le tartre de silice. Bien que la silice tende à avoir un effet moins important sur la formation de tartre que les autres minéraux, elle peut agir en tant que liant, rendant les taches d'eau et les résidus de tartre à l'extérieur de la tuyauterie difficiles à enlever. Cette limite de 20 ppm est à des fins esthétiques.

†† Tous les autres contaminants doivent satisfaire aux exigences de la USEPA Safe Water Drinking Act (loi sur l'eau potable sécuritaire de l'USEPA). Les MCL des minéraux et métalliques spécifiques, identifiés dans la publication de Watts Feed Water Chemistry Requirements (exigences relatives à l'état chimique de l'eau d'alimentation), ont publié les exigences chimiques d'alimentation en eau d'alimentation, remplacent le SDWA de l'USEPA.

Une eau qui contient des charges importantes de saletés et débris peut nécessiter une préfiltration avant l'utilisation de OneFlow®.

Ne pas utiliser dans des systèmes fermés.

Les systèmes OneFlow sont complets, autonomes, chargés de médias et prêts à utiliser. Seul un simple raccord d'entrée et de sortie est nécessaire pour l'installation. Examiner les limites de pressions de fonctionnement, de températures et de chimie de l'eau afin d'assurer la compatibilité.

AVERTISSEMENT

- Raccorder le système uniquement à l'alimentation en eau froide. La température de l'eau ne doit pas dépasser 100 °F/38 °C.
- Le système **doit être** installé en position verticale et de niveau.
- Ne pas appliquer d'autre antitartre avant ou après OneFlow.

AVERTISSEMENT

Précautions d'installation

- **NE PAS** installer le système si la pression de conduite est supérieure à 90 psi.
- Ne **PAS** installer le système sur une arrivée d'eau CHAUDE. Le dépassement d'une température de 100 °F/38 °C sur la conduite d'eau pourra causer une panne ou endommager le boîtier.
- Ne **PAS** installer le système à l'envers avec la conduite d'alimentation d'eau connectée à la sortie.
- Ne **PAS** utiliser de composés liquides pour tuyau pour faire les raccordements. APPLIQUER deux à trois tours de ruban Téflon®.
- Ne **PAS** souder les raccordements de plomberie fixés au boîtier du filtre ou à la vanne d'entrée. La vanne d'entrée et le boîtier du filtre seront endommagés par une température élevée.
- Ne **PAS** laisser geler le système. Couper l'alimentation en eau au boîtier et au boîtier du drain si la température chute en bas de 32 °F.
- Ne **PAS** installer le système à un endroit directement exposé aux rayons du soleil, à un endroit où il pourrait entrer en contact avec des produits chimiques, ou à un endroit où il pourrait être heurté par un équipement en mouvement, un chariot, une vadrouille ou tout autre élément pouvant l'endommager.
- **PRÉVOIR** un dégagement d'au moins 3 po (7,6 cm) sous le boîtier pour le remplacement du filtre.
- Si un coup de bélier est apparent, installer des antibéliers en amont de l'appareil OneFlow®.
- Ne **PAS** trop serrer les raccordements dans la vanne d'entrée ou la sortie du boîtier.
- Toujours sécuriser les vannes et les adaptateurs à l'aide d'une clé lors de l'installation d'un adaptateur dans le but d'éviter de tourner la vanne.
- Ne **PAS** installer l'appareil à un endroit difficile d'accès qui pourrait compliquer le remplacement du filtre.

Placer l'appareil OneFlow® à un emplacement adéquat.

La direction du flux à travers l'unité OneFlow® est toujours de gauche à droite; tenez-en compte lors du choix du lieu d'installation. Ne PAS installer le système OneFlow® à proximité d'une source de chaleur. En outre, ne pas monter le système au-dessus d'un appareil ou d'une zone qui pourrait être touché par l'eau.

▲ AVERTISSEMENT

Utilisation de OneFlow avec un autre équipement de traitement de l'eau

En raison des propriétés uniques de OneFlow, il existe des exigences particulières pour l'utilisation de OneFlow en combinaison avec une filtration ou d'autres formes de traitement de l'eau.

1. OneFlow doit être la dernière étape de la chaîne de traitement. Ne pas installer de filtre après le système OneFlow ou avant un dispositif pour lequel la prévention du tartre est nécessaire. Les filtres « POU » (point d'utilisation), par exemple au charbon, à RO (osmose inversée) ou UV (ultraviolet) sont exemptés de cette exigence.
2. Ne pas appliquer aucun autre antitartre avant ou après OneFlow.
3. L'ajout de savons, de produits chimiques ou de nettoyants avant ou après le traitement OneFlow peut annuler les effets du traitement antitartre ou produire de l'eau avec des résidus lourds ou des salissures potentielles. Toutes réactions négatives causées par l'ajout de savons, de produits chimiques ou de nettoyants relèvent uniquement de la responsabilité de l'utilisateur final.
4. OneFlow n'est pas un adoucisseur d'eau et il n'adoucit pas l'eau – Les produits chimiques du traitement de l'eau (p. ex. antitartres, séquestrants, savons, produits chimiques, nettoyants, etc.) devront probablement être modifiés pour être compatibles avec l'eau traitée par OneFlow. Les composants chimiques des produits de nettoyage pour la lessive et pour le lavage de vaisselle nécessiteront également des ajustements.

AVIS

Des traces pourraient apparaître sur les surfaces de plomberie externe

Les systèmes de média OneFlow fonctionnent mieux avec une utilisation de l'eau potable en un seul passage SANS additifs chimiques supplémentaires. Selon la dureté, de légères traces de tartre pourraient apparaître. Ces légères traces de tartre peuvent généralement être aisément nettoyées avec un chiffon humide et ne formeront pas de dépôt de tartre dur. Un adoucisseur d'eau pour POU (point d'utilisation) doit être utilisé pour des applications qui requièrent obligatoirement une absence de traces (p. ex. verres à pied, vaisselle).

Installation

Dessins et dimensions d'installation

1. Éteignez tout équipement alimenté par le système OneFlow, localisez et FERMEZ le robinet d'arrêt d'alimentation d'eau.
2. Déterminez si la conduite d'eau est dotée d'un système de traitement des eaux. Le cas échéant, examinez le système pour savoir s'il utilise des inhibiteurs de polyphosphates ou autre. OneFlow® ne sera pas efficace s'il est utilisé avec d'autres inhibiteurs de tartre. Retirez les inhibiteurs de tartre de la conduite d'eau ou interrompez l'installation.
3. Installez un robinet à bille fourni par l'utilisateur du côté alimentation en eau qui alimentera le système d'eau.
4. Ancrez le système OneFlow sur une surface de montage appropriée qui peut supporter le poids du système pendant son fonctionnement. Le système doit être vertical et debout.
5. Acheminez une conduite appropriée du robinet à bille fourni par l'utilisateur à la source d'eau du robinet jusqu'au robinet à bille d'entrée sur le système OneFlow. Appliquez 2 à 3 tours de ruban Teflon® sur la connexion d'eau d'alimentation et renforcez le clapet à bille d'entrée avec une clé lors du raccordement à la conduite d'alimentation à l'eau.

AVIS

NE SERREZ PAS TROP LE RACCORDEMENT AU CLAPET À BILLE.

6. Sélectionnez la bonne grandeur de tuyauterie pour l'équipement alimenté et le connecter à la sortie du système OneFlow®.

AVIS

NE raccordez PAS la tuyauterie à l'équipement à ce stade. Avant de faire le raccordement à l'équipement, cette conduite sera utilisée pour faciliter la vidange du système. Ou, un robinet de vidange dans un T sur le côté sortie du système OneFlow pourrait être installé dans la conduite afin de faciliter la vidange lors du changement des filtres.

7. Le clapet d'entrée de OneFlow® étant fermé, ouvrez lentement le clapet à bille plein débit de 1/2 po (19 mm) au robinet d'alimentation d'eau. Vérifiez qu'il n'y a pas de fuites
8. Si un robinet de vidange n'a pas été installé sur le côté sortie du système, tenez la tuyauterie qui sera raccordée à l'équipement dans un seau propre ou sur l'évier ou un drain. Ouvrez la vanne d'alimentation d'entrée du système et laissez l'eau rincer le système pendant deux (2) minutes au débit nominal du système afin d'évacuer les bulles d'air.

AVIS

AUCUNE ACTIVATION REQUISE POUR QUE LE SYSTÈME OneFlow® FONCTIONNE CORRECTEMENT. LA VIDANGE EST RECOMMANDÉE POUR LAISSER L'AIR S'ÉVACUER DU SYSTÈME.

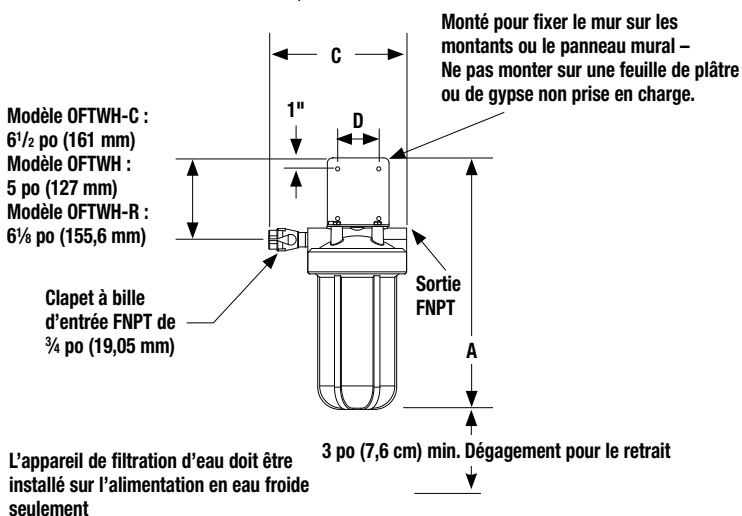
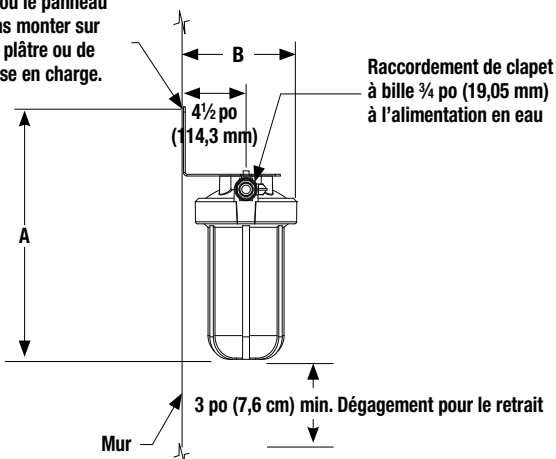
9. Assurez-vous que l'extrémité de la tuyauterie raccordée à l'équipement est propre et désinfectée.
10. Raccordez la tuyauterie à l'équipement. Ouvrez tous les robinets d'alimentation d'eau et vérifiez l'étanchéité.
11. S'il n'y a pas de fuite, mettez l'équipement sous tension et vérifiez le fonctionnement normal.
12. Attachez le journal d'entretien au système OneFlow® et inscrivez la date d'installation.

Le système est maintenant prêt pour fonctionner.

Teflon® est une marque déposée de The Chemours Company.

Dessins et dimensions d'installation

Monté pour fixer le mur sur les montants ou le panneau mural – Ne pas monter sur une feuille de plâtre ou de gypse non prise en charge.



L'appareil de filtration d'eau doit être installé sur l'alimentation en eau froide seulement

Dimensions

Modèle	Dimensions							
	A		B		C		D	
	po.	mm	po.	mm	po.	mm	po.	mm
OFTWH-C	18 1/2	470	8 5/8	219	10	254	3	76
OFTWH-R	28 1/2	724	8 1/16	206	9 3/4	248	3	76
OFTWH	27	686	8	203	9 3/4	248	3	76

Pics de débit — Poids

Modèle	OFTWH-C	OFTWH-R	OFTWH
*Débit maximal	5 g/m - 18,9 l/m	6 g/m - 22,7 l/m	10 g/m - 38 l/m
Poids sec	12 lb - 5,5 kg	15 lb - 6,8 kg	19 lb - 8,6 kg
Poids à vide	19 lb - 8,6 kg	29 lb - 13,2 kg	33 lb - 15 kg

*Le dépassement du débit maximum peut réduire l'efficacité et annuler la garantie.

La hauteur totale et la hauteur du raccord d'entrée varient en raison des variations matérielles et des tolérances de montage. Veuillez permettre un dégagement supplémentaire au-dessus du filtre pour faire les raccords.

Fonctionnement

Avec une pression suffisante, le fonctionnement du système Watts OneFlow® est entièrement automatique. Le fonctionnement fiable suppose seulement des changements de filtre réguliers et le maintien de la documentation de service.

Entretien

Entretien de routine de votre Oneflow® Le système implique des changements périodiques de cartouche filtrante ou un remplacement des joints toriques du puisard. Si les recommandations de dimensionnement du système ont été suivies, la cartouche Oneflow® devrait durer deux ans.

Fréquence de remplacement du filtre

Les filtres devraient être changés en réaction aux conditions suivantes.

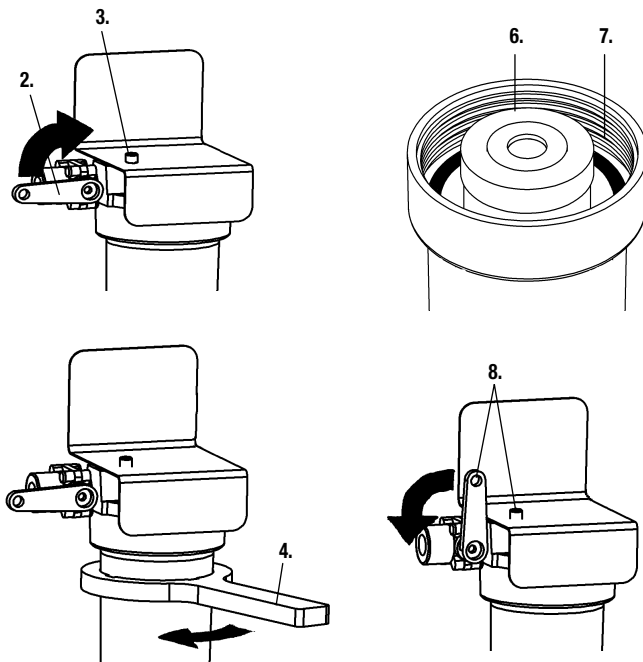
OFTWH-RM • 24 mois depuis l'installation ou le dernier changement de filtre.

Média de remplacement

OFTWH-C-RM Le média doit être remplacé tous les 2 ans

OFTWH-R-RM Le média doit être remplacé tous les 2 ans

OFTWHRM Le média doit être remplacé tous les 2 ans



Cartouches de filtres de remplacement

Les systèmes OneFlow® ne doivent être utilisés qu'avec des cartouches de filtres OneFlow®. L'utilisation de cartouches de remplacement autres que celles indiquées annulera les garanties et les certifications, et peut compromettre la protection de l'équipement, la qualité de l'eau et la durée de l'équipement.

Procédure de remplacement de la cartouche filtre

IMPORTANT

Déterminez si tous les autres équipements raccordés au système OneFlow® doivent être mis hors tension avant de couper l'alimentation d'eau provenant des filtres.

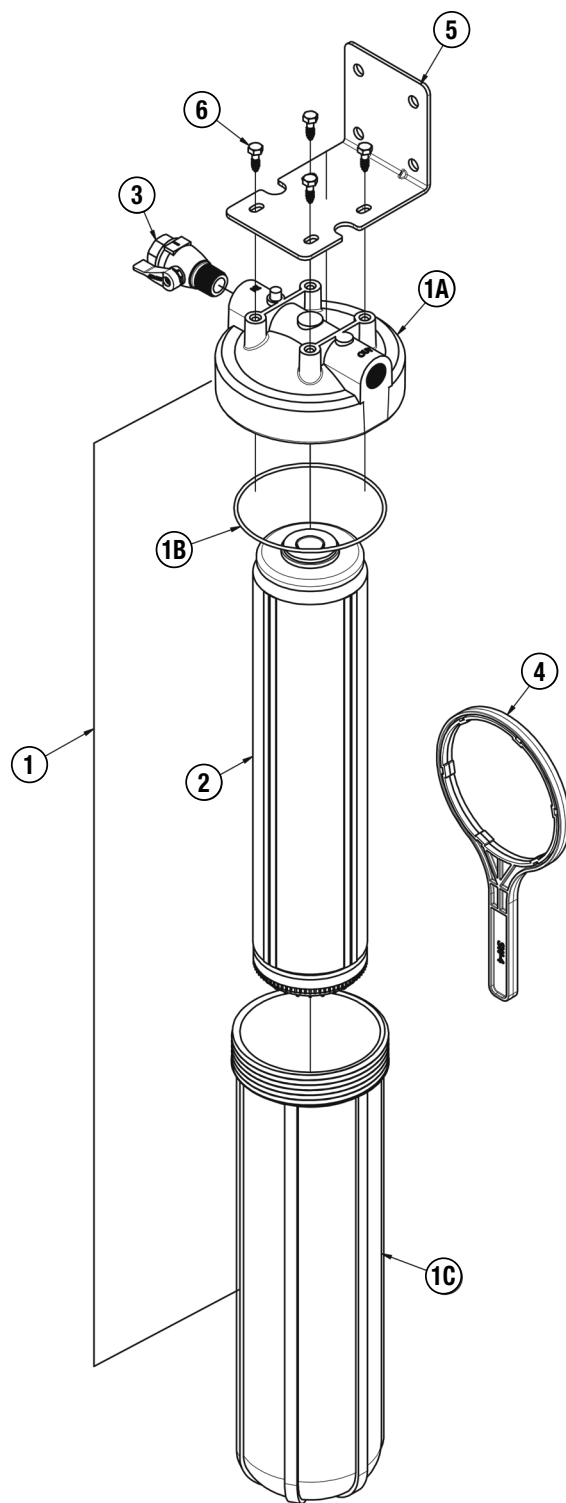
1. Si nécessaire, éteignez l'équipement.
2. Coupez l'alimentation d'eau au système OneFlow en fermant le clapet à bille d'entrée.
3. Appuyez sur le bouton rouge de décharge de pression sur le dessus du système jusqu'à ce que l'eau cesse de couler du bouton.
4. Retirez le bol de boîtier - utilisez une clé à filtre, si nécessaire.
5. Nettoyez l'intérieur du bol de boîtier de filtration avec de l'eau tiède. Au besoin, désinfectez le bol de boîtier à l'aide d'une cuillère à thé d'eau de javellisant. Ajoutez au bol de boîtier et ajoutez de l'eau. Laissez reposer 5 minutes et jetez.
6. Insérez la nouvelle cartouche dans le bol de boîtier du filtre. Faites correspondre le numéro de modèle de la cartouche au numéro de modèle sur le support.
7. Veillez à ce que le joint torique soit bien positionné et réinstallez le boîtier du filtre (serrez à la main seulement). Vérifiez l'état du joint torique et remplacez-le s'il est endommagé ou déformé.
8. Ouvrez légèrement le clapet à bille d'entrée; poussez le bouton rouge de libération de pression pour libérer l'air coincé jusqu'à ce qu'une petite quantité d'eau sorte; relâchez le bouton rouge et ouvrez complètement le clapet à bille.
9. Ouvrez légèrement le robinet à bille d'entrée et appuyez sur le bouton de décharge de pression rouge pour libérer l'air pris dans le système. Arrêtez d'appuyer sur le bouton de décharge de pression lorsqu'une petite quantité d'eau sort. Ouvrez complètement le robinet à bille d'entrée.

AVIS

10. Le robinet d'entrée de l'alimentation d'eau étant OUVERT et en présence d'un débit d'eau, mettez l'équipement connecté sous tension. L'équipement pourrait être gravement endommagé s'il n'y a pas d'alimentation d'eau.
11. Consignez le changement de filtre dans le journal d'entretien.

Pièces de rechange pour tous les modèles

PIÈCE	QTÉ.	DESCRIPTION
1	1	Boîtier avec décharge de pression et joint torique
1A	1	Couvercle du boîtier
1B	1	Joint torique
1C	1	Bol de boîtier
2	1	Cartouche de filtre OneFlow de remplacement
3	1	Clapet à bille d'entrée
4	1	Clé de boîtier de filtre
5	1	Support de fixation
6	4	Tire-fond



Garantie limitée

- Le système de réservoir OneFlow® est garanti comme étant exempt de tout défaut, tant au niveau des matériaux utilisés que de la main d'œuvre, et ce, pendant cinq (5) ans à compter de l'expédition initiale.
- Le rendement du média OneFlow® est garanti pendant deux (2) ans à compter de la date de l'installation initiale lorsqu'il est installé et utilisé conformément aux instructions du manuel d'installation et d'utilisation correspondant.

Watts Regulator Company garantit ses systèmes de cartouches OneFlow® comme suit :

- Le système de cartouches OneFlow® est garanti comme étant exempt de tout défaut, tant au niveau des matériaux utilisés que de la main d'œuvre, et ce, pendant un (1) an à compter de l'expédition initiale.
- Les cartouches OneFlow® sont garanties pendant une période d'un (1) an à compter de la date de l'installation initiale lorsqu'elles sont installées et utilisées conformément aux instructions du manuel d'installation et d'utilisation correspondant.
- Les cartouches de filtre de remplacement au charbon ne sont pas garanties pour fonctionner pour une période donnée, car la durée de vie du filtre au charbon varie considérablement en fonction des conditions locales et du volume.

Conditions

1. Le système OneFlow® doit être installé dans des applications fournies en eau par la municipalité dans le respect des directives de l'EPA.
2. Toute panne d'un composant ne doit pas découler d'un abus, d'un incendie, du gel ou d'autres phénomènes naturels, actes de violence ou d'une mauvaise installation.
3. L'équipement doit être installé et utilisé en conformité avec les codes de plomberie locaux et sur un approvisionnement en eau approuvé.
4. L'équipement est limité à une utilisation à des pressions d'eau et des températures qui ne dépassent pas les spécifications que nous avons publiées.
5. L'approvisionnement en eau ne doit pas dépasser 2,0 ppm de chlore. Pour l'approvisionnement en eau dépassant 2,0 ppm de chlore, un prétraitement est nécessaire. (Veuillez communiquer avec votre spécialiste du traitement de l'eau.)
6. L'information, y compris le numéro de modèle, le numéro de série et la date d'installation, doit être fournie pour toute réclamation concernant le matériel sous garantie.
7. Les pièces défectueuses sont soumises à une inspection par Watts Regulator Company ou par tout représentant autorisé avant que le recours définitif de la garantie soit exécuté.
8. Watts Regulator Company se réserve le droit d'apporter des modifications ou des substitutions aux pièces ou à l'équipement par du matériel de qualité égale ou de valeur égale, par du matériel de la production courante.

Limitations

Notre obligation en vertu de la présente garantie par rapport au réservoir ou à la vanne est limitée à fournir un remplacement pour, ou selon notre option, la réparation de l'ensemble d'une pièce ou des pièces à notre satisfaction qui se révèle/révèlent défectueuse(s) pendant la période de garantie indiquée ci-dessus. Ces pièces de rechange seront livrées au propriétaire F.O.B. (franco à bord) à l'usine la plus proche, sans frais, à l'exclusion des frais de livraison et de main-d'œuvre locale, le cas échéant.

Notre obligation en vertu de cette garantie par rapport au médium OneFlow® sera limitée à fournir un remplacement pour le médium dans les deux ans à compter de la date d'installation initiale. Ce remplacement sera livré au propriétaire F.O.B. à l'usine la plus proche, sans frais, à l'exclusion des frais de livraison et de main-d'œuvre locale, le cas échéant. Les dommages au médium attribuables au chlore, à d'autres comburants ou à l'encrassement provoqué par les conditions locales de l'eau ou toute autre opération en dehors des limites indiquées dans les caractéristiques ne sont pas couverts par la présente garantie.

LA PRÉSENTE GARANTIE EST EXPRESSE ET REPRÉSENTE LA SEULE GARANTIE OFFERTE PAR WATTS REGULATOR COMPANY POUR CE PRODUIT. WATTS REGULATOR COMPANY N'OFFRE AUCUNE AUTRE GARANTIE, EXPRESSE OU TACITE. PAR LA PRÉSENTE, WATTS REGULATOR COMPANY REJETTE SPÉCIFIQUEMENT TOUTE AUTRE GARANTIE, EXPRESSE OU TACITE, NOTAMMENT TOUTE GARANTIE TACITE DE QUALITÉ MARCHANDE OU D'ADAPTATION À UN BUT PARTICULIER.

Le recours décrit en vertu de cette garantie constitue le seul recours à toute violation de la présente garantie et Watts Regulator Company ne saurait être tenue responsable de tout dommage accessoire, spécial ou indirect, y compris, sans s'y limiter : le transport, la manutention, la perte de profits ou le coût afférent à la réparation ou au remplacement d'autres biens qui seraient endommagés par suite du fonctionnement incorrect dudit produit; d'autres coûts résultant de frais de main-d'œuvre, de retards, de vandalisme, de négligence, d'une obstruction causée par des corps étrangers, de dommages causés par une eau impropre, des produits chimiques ou par tout autre événement échappant au contrôle de Watts Regulator Company. La présente garantie est déclarée nulle et non avenue en cas d'usage abusif ou incorrect, d'une mauvaise utilisation ou d'une mauvaise installation du produit.

Certains États n'autorisent pas les limitations de durée d'une garantie tacite ou l'exclusion ou la limitation des dommages accessoires ou indirects. En conséquence, les limitations susmentionnées pourraient ne pas s'appliquer à votre cas. Cette garantie vous octroie des droits légaux, et il se peut que vous en ayez d'autres qui varient d'un État à l'autre. Vous devez donc prendre connaissance des lois applicables pour votre cas particulier. DANS LA MESURE PERMISE PAR LA LOI APPLICABLE DE L'ÉTAT, TOUTES LES GARANTIES TACITES NE POUVANT PAS ÊTRE REJETÉES, Y COMPRIS LES GARANTIES TACITES DE QUALITÉ MARCHANDE ET D'ADAPTATION À UN BUT PARTICULIER, SONT LIMITÉES EN DURÉE AUX PÉRIODES DE GARANTIE APPLICABLES CI-DESSUS.



Instalación, funcionamiento y manual de mantenimiento

OneFlow[®] Anti-Scale System

Modelos OFTWH-C
OFTWH-R
OFTWH

Sistemas antisarro OneFlow[®]
sin químicos, prevención de
sarro sin sal

⚠ ADVERTENCIA



Lea este manual ANTES de utilizar este equipo.
El no leer y no seguir toda la información de seguridad
y uso puede causar muerte, lesiones personales graves,
daños a la propiedad o daños al equipo.
Conserve este manual para referencia futura.

Introducción

El sistema antisarro OneFlow[®] brinda protección contra la formación de sarro en las superficies internas de las tuberías. OneFlow[®] es el único dispositivo de tratamiento de agua que proporciona protección eficaz contra el sarro y es una excelente alternativa sin sal para el ablandamiento del agua (por intercambio iónico) o productos químicos inhibidores de sarro.

Los sistemas OneFlow se fabrican con los materiales más finos y avanzados. Con una instalación adecuada y un mantenimiento de rutina, obtendrá años de funcionamiento sin problemas.

Consulte este manual cuando realice cambios de filtro rutinarios. Las instrucciones facilitan y agilizan el mantenimiento periódico y se aseguran de que usted reciba el máximo beneficio de su sistema.

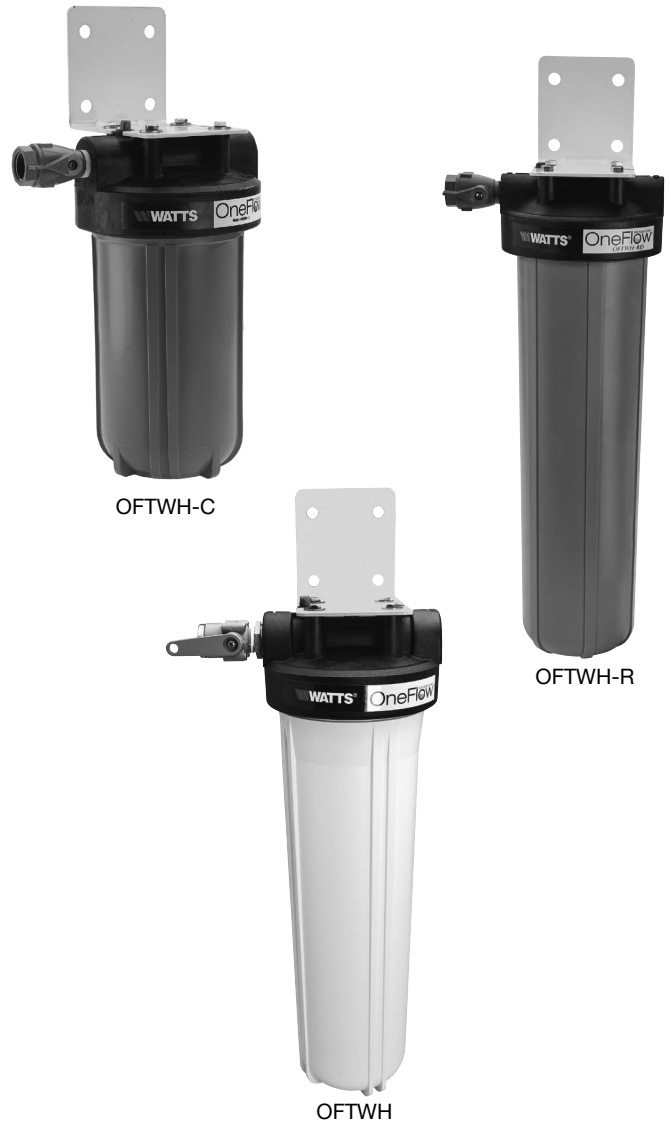
Especificaciones del sistema

Conexiones de entrada/salida: 3/4" FNPT
Caudales de hasta 10 gpm (38 lpm)

Calificación flujo en galones: OFTWH, OFTWH-C, OFTWH-R: No hay capacidad de galones para OneFlow. Estos sistemas están diseñados para funcionar las 24 horas del día, los siete días de la semana, los 365 días del año, dos años. Los contaminantes presentes en el agua degradarán gradualmente la eficacia de estos cartuchos. Cambie estos cartuchos al menos una vez cada dos años.

⚠ ADVERTENCIA

Es necesario que consulte las normativas locales de construcción y plomería antes de realizar la instalación. Si la información de este manual no es consistente con las normas locales de construcción o plomería, se deben seguir las normas locales. Se deben averiguar los requisitos locales adicionales con las autoridades gubernamentales.



Los medios filtrantes de OneFlow están certificados por WQA según la norma NSF/ANSI/CAN 61 y NSF/ANSI 372 en cuanto a cumplimiento sin plomo.

⚠ ADVERTENCIA

No lo utilice con agua microbiológicamente insegura o de calidad desconocida sin una desinfección adecuada antes o después del sistema.

WATTS[®]

Requisitos de químicos del agua de alimentación

pH	6.5 a 8.5
Dureza (máxima)	30 granos (513 ppm CaCO ₃)*
Presión del agua	15 psi a 90 psi (1.03 bar a 6.2 bar)
Temperatura	40 °F a 100 °F (5 °C a 38 °C)
Cloro libre	< 2 ppm
Hierro (máximo)	0.3 ppm**
Manganeso (máximo)	0.05 ppm**
Cobre (máximo)	1.3 ppm***
Aceite y H ₂ S	Deberán eliminarse antes del paso por OneFlow
Fosfatos totales	< 3.0 ppm
Sílice (máximo)	20 ppm †
TDS	<1500 mg/l ††

AVISO

* Los sistemas que utilizan la tecnología de cartuchos OneFlow son efectivos para controlar la formación de sarro-cal dentro de las tuberías a niveles de dureza del afluente de hasta 30 granos por galón (513 ppm) como carbonato de calcio. Debido a las variaciones en la química del agua, 30 granos por galón es el máximo de dureza recomendado debido a posibles problemas estéticos relacionados con la formación de residuos de sarro fuera del sistema de plomería. Se deben realizar pruebas para determinar la aplicación adecuada en la que los niveles de dureza exceden los 30 granos por galón.

**Al igual que con los medios suavizadores de agua convencionales, los medios de OneFlow® necesitan estar protegidos de los niveles excesivos de ciertos metales que pueden cubrir fácilmente la superficie activa y reducir su efectividad con el tiempo. El suministro público de agua potable raras veces presenta problemas, pero si el suministro de agua proviene de un pozo privado, confirme que los niveles de hierro (Fe) y manganeso (Mn) sean menores de 0.3 mg/l y 0.05 mg/l, respectivamente.

ADVERTENCIA

***De conformidad con las normas de agua potable de la EPA (Agencia de Protección Ambiental), la concentración permitida de cobre es de 1.3 ppm. Típicamente procedentes de tuberías nuevas de cobre, los altos niveles de cobre pueden contaminar los medios OneFlow. Las líneas de cobre nuevas deben ser pasivadas durante un mínimo de 4 semanas antes de poner la unidad en servicio. Para aplicaciones con una concentración de cobre mayor a 1.3 ppm, comuníquese al Servicio Técnico de Calidad de Watts. Para minimizar aún más cualquier problema relacionado con exceso de cobre, evite aplicar exceso de fundente en las superficies internas de la tubería y use un fundente de baja corrosividad soluble en agua indicado en la norma ASTM B813.

AVISO

† Los medios de OneFlow® no disminuyen el sarro de sílice. Aunque el sílice tiende a tener un efecto menos significativo en la formación de sarro que otros minerales, puede actuar como aglutinante y hacer que las manchas de agua y los residuos de sarro sean difíciles de quitar del sistema de plomería. Este límite de 20 ppm es para fines estéticos.

†† Todos los demás contaminantes deben cumplir los requisitos de la Ley de Agua Potable Segura de USEPA (Agencia de Protección Ambiental de EE. UU.). Los MCL (niveles máximos de contaminantes) específicos de minerales y de metal, identificados en los requisitos químicos de agua de alimentación publicados de Watts, reemplazan la SDWA (Ley del Agua Potable Segura) de USEPA.

Cuando se sepa que el agua tiene fuertes cantidades de suciedad y residuos, es posible que se requiera filtrarla antes de tratarla con OneFlow®.

No es apto para usarse en sistemas de circuito cerrado.

Los sistemas OneFlow son completos, autónomos, cargados con medios y listos para usar. Una simple conexión de entrada y salida es todo lo que se requiere para la instalación. Revise las presiones de funcionamiento, las temperaturas y las limitaciones de la química del agua para garantizar la compatibilidad.

ADVERTENCIA

- Conecte el sistema únicamente al suministro de agua fría. La temperatura del agua no puede superar los 100 °F / 38 °C.
- El sistema **deberá** instalarse en posición vertical, recta y nivelada.
- No aplique otros productos anti-sarro antes o después de OneFlow.

ADVERTENCIA

Precauciones de instalación

- **NO** instale el sistema en presión de la línea por encima de 90 psi.
- **NO** instale el sistema en la línea de agua CALIENTE. Si no se limita la temperatura de la línea a 100 °F/38 °C, se puede producir una falla y daños en la carcasa.
- **NO** instale el sistema hacia atrás con la línea de agua de alimentación conectada a la salida.
- **NO** utilice compuestos líquidos en tubos para realizar conexiones de accesorios. UTILICE dos o tres vueltas de cinta Teflon®.
- **NO** suelde las conexiones de plomería conectadas a la carcasa del filtro o a la válvula de entrada. La válvula de entrada y la carcasa del filtro se dañarán a altas temperaturas.
- **NO** permita que el sistema se congele. Cierre el suministro de agua a la carcasa y vacíela si la temperatura cae por debajo de 32 °F (0 °C).
- **NO** instale el sistema bajo la luz solar directa ni cuando el sistema esté expuesto a sustancias químicas fuertes o pueda estar sujeto a golpes por equipo en movimiento, carros, trapeadores o cualquier otro elemento que pueda causar daños.
- **PERMITA** un espacio mínimo de 3 in (7.6 cm) debajo de la carcasa para permitir el cambio del filtro.
- Si el golpe de ariete hidráulico es evidente, instale los supresores de golpe de ariete hidráulico antes de la unidad OneFlow®.
- **NO** apriete en exceso las conexiones de accesorios en la válvula de entrada o en la salida de la carcasa.
- Cuando instale un accesorio, utilice siempre válvulas de reserva y accesorios con una llave para evitar girar la válvula.
- **NO** instale la unidad detrás del equipo en donde sea difícil acceder al sistema para reemplazar el filtro.

Coloque la unidad OneFlow® en una ubicación adecuada. La dirección del flujo a través de la unidad OneFlow® siempre es de izquierda a derecha; tenga esto en cuenta al determinar la ubicación de la instalación. **NO** instale el sistema OneFlow® cerca de alguna fuente de calor. Además, no monte el sistema por encima de ningún dispositivo o área que pueda verse afectada negativamente por el agua.

⚠️ ADVERTENCIA

Uso de OneFlow con otros equipos de tratamiento de agua

Debido a las propiedades únicas de OneFlow, hay algunos requisitos únicos para usar OneFlow junto con la filtración u otras formas de tratamiento de agua.

1. OneFlow debe ser la última etapa en la cadena de tratamiento. No instale ningún filtro después de OneFlow o antes de cualquier dispositivo para el cual se requiera la prevención de sarro. Los filtros POU, p. ej. de carbón, RO o ultravioleta (UV), están exentos de este requisito.
2. No aplique ningún otro producto antisarro antes o después de OneFlow.
3. Agregar jabones, productos químicos o limpiadores, antes o después del tratamiento OneFlow, puede revertir los efectos del tratamiento antisarro y/o generar agua con un residuo pesado o la posibilidad de manchas. Toda condición adversa provocada por agregar jabones, productos químicos o limpiadores es responsabilidad exclusiva del usuario final.
4. OneFlow no es un ablandador de agua y no ablanda el agua. La química del tratamiento de agua (es decir, antisarros, inhibidores, jabones, productos químicos o limpiadores etc.) tendrá que cambiarse para que sea compatible con el agua tratada con OneFlow. Del mismo modo, la química de lavado de ropa y de lavado de trastes requerirá de ajustes.

AVISO

Pueden producirse manchas en superficies de plomería externas

Los sistemas de medios filtrantes OneFlow funcionan mejor en aplicaciones de agua potable de una sola pasada SIN aditivos químicos adicionales. Dependiendo de la dureza, pueden producirse suaves manchas de depósitos de sarro. En la mayor parte de los casos, las manchas de depósitos de sarro suaves se pueden limpiar fácilmente con un paño húmedo y no formarán sólidos depósitos de sarro. Se debe utilizar un ablandador de agua en el punto de uso (POU) en aplicaciones que requieren ausencia de manchas (por ejemplo, vajilla de cristal, vajilla).

Instalación

Dibujos y dimensiones de la instalación

1. Apague todos los equipos que el sistema OneFlow vaya a alimentar, localice la válvula de cierre de suministro de agua y CIÉRRELA.
2. Determine si la línea de agua tiene un sistema de tratamiento de agua existente. De ser así, examine el sistema en busca del uso de polifosfato u otros inhibidores de sarro. OneFlow® no será eficaz si se utiliza junto con otros inhibidores de sarro. Retire los inhibidores de sarro de la línea de agua o suspenda la instalación.
3. Instale una válvula de bola suministrada por el usuario en el lado de suministro de agua que alimentará el sistema de agua.
4. Fije el sistema OneFlow a una superficie de montaje adecuada que pueda soportar el peso del sistema durante el funcionamiento. El sistema debe ser vertical y recto.
5. Ejecute una línea adecuada desde la válvula de bola suministrada por el usuario en la fuente de agua del grifo hasta la válvula de bola de entrada del sistema OneFlow. Utilice 2 o 3 vueltas de cinta Teflon® en la conexión de agua de alimentación y sujete la válvula de bola de entrada en el sistema con una llave al conectar la línea de agua de alimentación.

AVISO

NO APRIETE DEMASIADO LA CONEXIÓN EN LA VÁLVULA DE BOLA.

6. Seleccione el tubo de tamaño adecuado para el equipo que se está alimentando y conéctelo a la salida del sistema OneFlow®.

AVISO

NO conecte la tubería al equipo en este momento. Antes de conectar al equipo, esta línea se utilizará para facilitar el lavado del sistema. Como opción, se podría instalar una válvula de drenaje en una T en el lado de salida del sistema OneFlow en la línea para facilitar el lavado al cambiar los filtros.

7. Con la válvula de entrada OneFlow® cerrada, abra lentamente la válvula de bola de flujo completo de 1/2 in (1.3 cm) en la fuente de agua del grifo. Revise si hay fugas.
8. Si no se instaló una válvula de drenaje del lado de la salida de sistema, sostenga la tubería que se conectará al equipo en una cubeta limpia o sobre el fregadero o el drenaje. Abra la válvula de alimentación de entrada del sistema y deje que el agua fluya a través del sistema 2 minutos al caudal nominal del sistema para permitir que las burbujas de aire se escapen.

AVISO

NO SE REQUIERE ACTIVACIÓN PARA QUE EL SISTEMA OneFlow® FUNCIONE CORRECTAMENTE. SE RECOMIENDA EL LAVADO PARA PERMITIR QUE EL AIRE SALGA DEL SISTEMA.

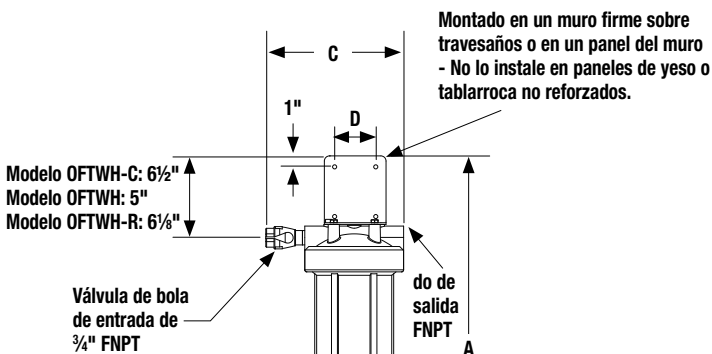
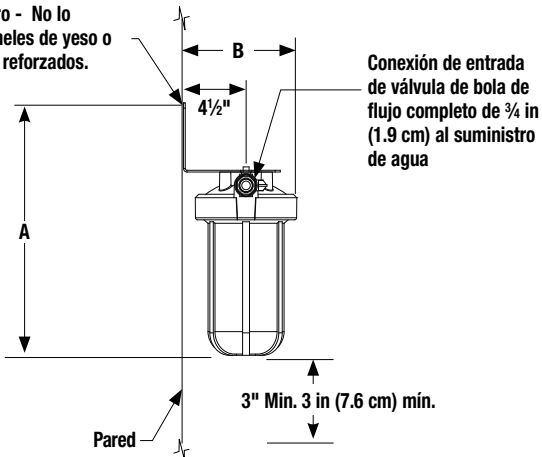
9. Asegúrese de que el extremo de la tubería que se va a conectar al equipo esté limpio e higiénico.
10. Conecte la tubería al equipo. Abra todas las válvulas de suministro de agua y verifique que no haya fugas.
11. Si no hay fugas, encienda el equipo y verifique que la operación sea normal.
12. Adhiera el registro de servicio al sistema OneFlow® instalado y anote la fecha de instalación.

El sistema ya está listo para su funcionamiento.

Teflon® es una marca comercial registrada de The Chemours Company.

Planos de instalación y dimensiones

Montado en un muro firme sobre travesaños o en un panel del muro - No lo instale en paneles de yeso o tablarroca no reforzados.



La unidad de filtración de agua solo deberá instalarse en el suministro de agua fría

Dimensiones

Modelo	Dimensiones							
	A		B		C		D	
	in.	mm	in.	mm	in.	mm	in.	mm
OFTWH-C	18 1/2	470	8 5/8	219	10	254	3	76
OFTWH-R	28 1/2	724	8 1/16	206	9 3/4	248	3	76
OFTWH	27	686	8	203	9 3/4	248	3	76

Flujos máximos - pesos

Modelo	OFTWH-C	OFTWH-R	OFTWH
Flujo máximo	5 gpm 18.9 lpm	6 gpm 22.7 lpm	10 gpm 38 lpm
Peso seco	12 lbs. 5.5 kgs.	15 lbs. 6.8 kgs.	19 lbs. 8.6 kgs.
Peso de servicio	19 lbs. 8.6 kgs.	29 lbs. 13.2 kgs.	33 lbs. 15 kgs.

*Exceder el flujo máximo puede reducir la efectividad y anular la garantía.

La altura total y la altura del accesorio de entrada varían debido a las variaciones de los materiales y las tolerancias del ensamblado. Deje espacio libre adicional arriba del filtro para hacer las conexiones.

Operación

Con suficiente presión, la operación del sistema OneFlow® de Watts es completamente automática. La operación confiable solo implica cambios periódicos de filtros y mantener la documentación de servicio.

Mantenimiento

El mantenimiento rutinario del sistema OneFlow® implica cambios periódicos de cartuchos de filtro y/o remplazo de juntas tóricas del sumidero. Si se siguen las recomendaciones de tamaño del sistema, el cartucho OneFlow® debe durar dos años.

Frecuencia de cambio de filtro

Los filtros deben cambiarse en respuesta a las siguientes condiciones.

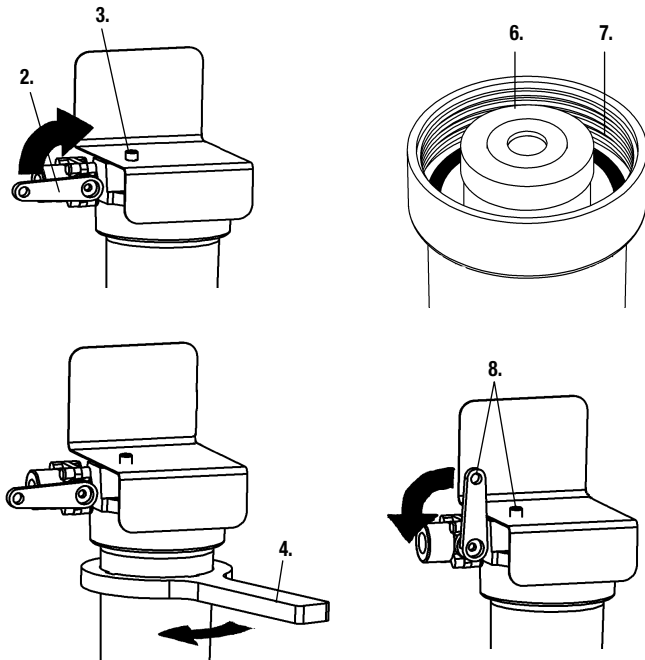
OFTWH-RM • 24 meses desde la instalación o el cambio de filtro anterior.

Medios de reemplazo

OFTWH-C-RM Los medios deben reemplazarse cada 2 años

OFTWH-R-RM Los medios deben reemplazarse cada 2 años

OFTWHRM Los medios deben reemplazarse cada 2 años



Cartuchos de filtro de repuesto

Los sistemas OneFlow® solo se pueden utilizar con cartuchos de filtro OneFlow®. El uso de cartuchos de repuesto distintos de los especificados anulará las garantías y certificaciones y puede comprometer la protección del equipo, la calidad del agua y la vida útil del equipo.

Procedimiento para reemplazar el cartucho del filtro

IMPORTANTE

Determine si todos los demás equipos conectados al sistema OneFlow® deberán apagarse antes de apagar el suministro de agua de los filtros.

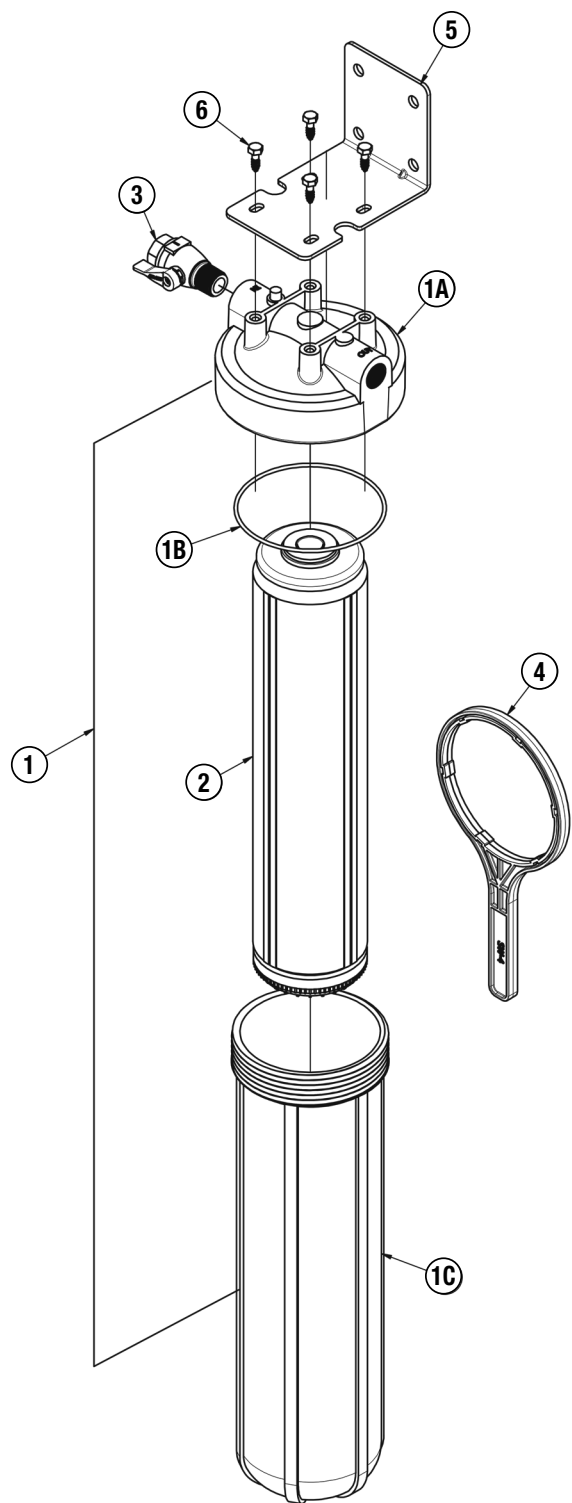
1. Si es necesario, apague el equipo.
2. Cierre el suministro de agua al sistema OneFlow cerrando la válvula de bola de entrada.
3. Pulse el botón rojo de alivio de presión situado en la parte superior del sistema hasta que el agua deje de salir del botón.
4. Retire el recipiente de la carcasa: utilice una llave para filtros si es necesario.
5. Limpie el interior del recipiente de la carcasa con agua tibia. Si lo desea, desinfecte el recipiente de la carcasa con una cucharadita de cloro de uso doméstico. Agregue al recipiente de la carcasa y añada agua. Deje que repose 5 minutos y deseche el agua.
6. Inserte el cartucho nuevo en el recipiente de la carcasa del filtro. El número de modelo del cartucho debe coincidir con el número de modelo del soporte.
7. Asegúrese de que la junta tórica esté correctamente colocada y vuelva a instalar la carcasa del filtro (únicamente ajuste a mano). Revise la junta tórica en busca de daños y replácela si está dañada o deformada.
8. Abra ligeramente la válvula de bola de entrada y presione el botón rojo de alivio de presión para liberar el aire atrapado en el sistema. Deje de presionar el botón de alivio de presión cuando salga una pequeña cantidad de agua. Abra completamente la válvula de bola de entrada.
9. Abra la línea descendente de la válvula de lavado de la carcasa del filtro (si la hay) y lave el cartucho nuevo al drenaje o la cubeta durante dos (2) minutos o hasta que el agua salga limpia. Si no hay válvula de lavado, desconecte la línea del equipo para que fluya al drenaje.

AVISO

10. Con la válvula de entrada de suministro de agua ABIERTA y el flujo de agua confirmado, encienda el equipo conectado. Si no se suministra agua al equipo, podrían producirse daños graves.
11. Registre el cambio de filtro en el registro de servicio.

Piezas de repuesto para todos los modelos

ARTÍCULO	CANT.	DESCRIPCIÓN
1	1	Carcasa con alivio de presión y junta tórica
1A	1	Tapa de la carcasa
1B	1	Junta tórica
1C	1	Cuenco de la carcasa
2	1	Cartucho de filtro OneFlow de repuesto
3	1	Válvula de bola de entrada
4	1	Llave de la carcasa del filtro
5	1	Soporte de montaje
6	4	Tornillo de tracción



Garantía limitada

- Se garantiza que el sistema del tanque OneFlow® no presenta defectos en los materiales ni la mano de obra durante 5 años a partir de la fecha del envío original.
- Se garantiza el desempeño de los medios OneFlow® durante un periodo de 2 años a partir de la fecha de instalación original cuando se instalan y operan de acuerdo con las instrucciones del correspondiente Manual de instalación y operación.

Watts Regulator Company garantiza sus sistemas de cartuchos OneFlow® de la siguiente manera:

- Se garantiza que el sistema de cartuchos OneFlow® no presenta defectos en los materiales ni la mano de obra durante 1 año a partir de la fecha del envío original.
- Se garantiza el desempeño de los cartuchos OneFlow® durante un periodo de un año a partir de la fecha de instalación original cuando se instalan y operan de acuerdo con las instrucciones del correspondiente Manual de instalación y operación.
- No se asegura el desempeño de los cartuchos de filtro de repuesto de carbono durante ningún período porque la vida útil de los cartuchos de filtro de carbono de repuesto varía significativamente con las condiciones del agua local y el volumen.

Condiciones

1. El sistema OneFlow® debe instalarse en aplicaciones con agua de suministro municipal que cumpla las directrices de la EPA.
2. Cualquier falla de componente no deberá ser resultado de abuso, incendio, congelación u otros actos de naturaleza, violencia o instalación inadecuada.
3. El equipo deberá instalarse y operarse de conformidad con los códigos de plomería locales y con un suministro de agua aprobado.
4. El equipo está limitado para su uso a presiones y temperaturas de agua que no excedan nuestras especificaciones publicadas.
5. El suministro de agua no debe superar los 2.0 PPM de cloro. Para el suministro de agua que exceda 2.0 PPM de cloro, es necesario realizar un tratamiento previo. (Comuníquese con su especialista en tratamiento de aguas).
6. Se deberá proporcionar información, incluidos el número de modelo, el número de serie y la fecha de instalación, para cualquier reclamación relativa al equipo en garantía.
7. Las piezas defectuosas están sujetas a inspección por Watts Regulator Company o cualquier representante autorizado antes de que se realice el compromiso final del ajuste de la garantía.
8. Watts Regulator Company se reserva el derecho de realizar cambios o sustituciones en piezas o equipos con material de igual calidad o valor y de la producción actual en ese momento.

Limitaciones

Nuestra obligación en virtud de esta garantía con respecto al tanque o la válvula se limita a proporcionar un remplazo, o a nuestra elección, reparar cualquier pieza o piezas a nuestra satisfacción que demuestren defectos dentro del período de garantía indicado anteriormente. Dichos remplazos se entregarán a la fábrica LAB (libre a bordo) más cercana al propietario, sin costo alguno, sin incluir los cargos de flete y mano de obra local, si los hubiera.

Nuestra obligación en virtud de esta garantía con respecto a los medios OneFlow® se limitarán a proporcionar un remplazo para los medios dentro de un plazo de dos años a partir de la fecha de instalación original. Dichos medios de remplazo se entregarán a la fábrica LAB (libre a bordo) más cercana al propietario, sin costo alguno, excluidos los cargos de flete y mano de obra local, si los hubiera. Esta garantía no cubre los daños a los medios causados por cloro, otros oxidantes o suciedad causado por las condiciones del agua local o cualquier otra operación fuera de los límites que se muestran en las Especificaciones.

LA GARANTÍA QUE AQUÍ SE ESTABLECE SE OTORGA EXPRESAMENTE Y ES LA ÚNICA GARANTÍA QUE OTORGA WATTS REGULATOR COMPANY CON RESPECTO AL PRODUCTO. WATTS REGULATOR COMPANY NO OFRECE NINGUNA OTRA GARANTÍA, EXPRESA O IMPLÍCITA. POR MEDIO DE LA PRESENTE, WATTS REGULATOR COMPANY ESPECÍFICAMENTE SE DESLINDA DE CUALQUIER OTRA GARANTÍA, EXPRESA O IMPLÍCITA, ENTRE OTRAS, LAS GARANTÍAS IMPLÍCITAS DE COMERCIALIZACIÓN E IDONEIDAD PARA UN FIN PARTICULAR.

El recurso que se describe bajo esta garantía conformará el único y exclusivo recurso en caso de incumplimiento de la garantía, y Watts Regulator Company no asume responsabilidad por ningún daño incidental, especial o consecuente, entre otros, sin limitación, flete, manejo, ganancias perdidas o el costo de reparar o reemplazar otra propiedad dañada si este producto no funciona de manera adecuada, otros costos que surjan de cargos laborales, retrasos, vandalismo, negligencia, suciedad ocasionado por materia extraña, daño por condiciones adversas del agua, sustancias químicas o cualquier otra circunstancia sobre la cual Watts Regulator Company no tiene control. Esta garantía será invalidada por cualquier abuso, uso indebido, aplicación incorrecta o instalación inadecuada del producto.

Algunos estados no permiten limitaciones en la duración de una garantía implícita, y algunos estados no permiten la exclusión o la limitación de daños incidentales o consecuentes. Por lo tanto, es posible que las limitaciones anteriores no sean aplicables a usted. Esta garantía le otorga derechos legales específicos, y es posible que usted tenga otros derechos que varían según el estado. Debe consultar las leyes estatales correspondientes para determinar sus derechos. EN LO QUE SE REFIERE A LA LEGISLACIÓN ESTATAL APLICABLE, CUALQUIER GARANTÍA IMPLÍCITA QUE NO SEA RECHAZADA, INCLUIDAS LAS GARANTÍAS IMPLÍCITAS DE COMERCIALIZACIÓN E IDONEIDAD PARA UN FIN DETERMINADO, SE LIMITARÁ EN DURACIÓN A LOS PERÍODOS DE GARANTÍA APLICABLES INDICADOS ANTERIORMENTE.

